

vinyTherm[®]

FAÇADES

A range with outstanding benefits



vinylit[®]

A SURTECO COMPANY

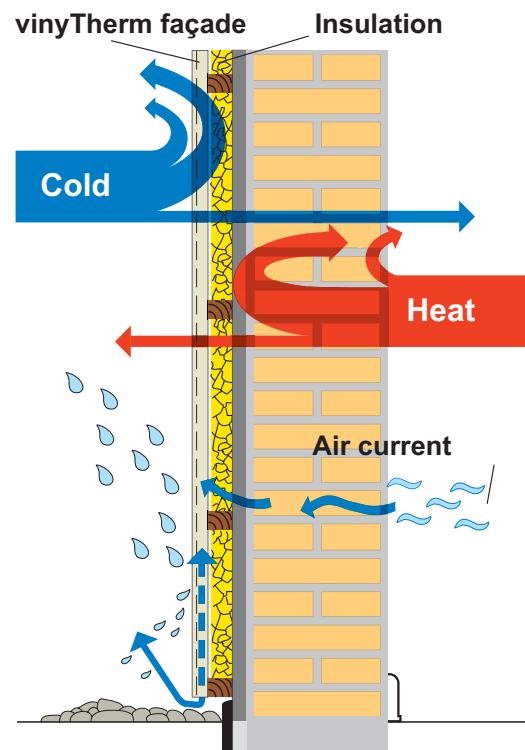
Five benefits for the brain

1

The building physics benefits

vinyTherm façades are based on the principle of a façade positioned in front of a wall with rear ventilation and heat insulation. Scientific studies* show that this principle of separating the various layers of a wall construction guarantee perfect weather protection and the removal of moisture, excellent heat insulation and also has a sound insulation effect.

* Scientific study by the Technical University of Dresden, Institute of Building Climates, II. 96



2

Installation benefits

vinyTherm façades can be installed quickly and easily without noise and dirt using dry construction methods. No preparation work on the old façade, such as removing render, etc. is necessary. The tongue-and-groove connection system allows the façade to be installed in large, time-saving steps, which is particularly important if you have a large area to renovate. A sub-structure is installed on the masonry to compensate for any unevenness in the wall.

3

The benefits of insulation

The cushion of air between the profiles have the same effect as a layer of insulation measuring between 2 -4 cm thick. The thickness of the insulation can be selected arbitrarily. It is installed and secured to prevent movement by the legs on the reverse of the façade sections. Studies have shown that depending on the masonry, up to 85% of heating costs can be saved overall. **vinylTherm** façades therefore meet the stringent regulations of the new energy saving directive in terms of the U-value.



School in Budapest, H



Sarajevo Hospital, BiH

4

The maintenance benefits

A **vinylTherm** façade offers extreme mechanical strength, weatherproof and requires almost no maintenance. In contrast to render, the profiles react flexibly to outdoor temperatures and therefore do not form cracks. Regular repainting and touch-up work are superfluous. The façade can be cleaned with absolute ease using a pressure washer. If any parts of the façade suffer damage, it is also possible to replace individual sections.

5

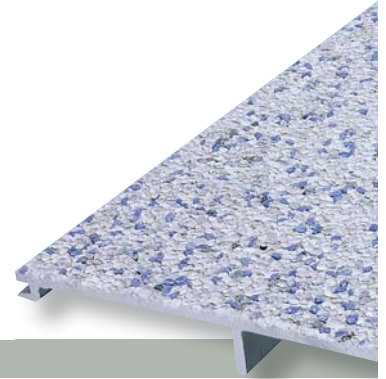
The cost benefits

vinylTherm façades also add up from a commercial point of view:

- Perfect protection for the building
- Low installation costs
- Reduction in heating costs
- Low maintenance costs
- High standard of living
- Increases the value

Front cover: Office building in Moscow, RUS

The sixth benefit is for the eye



6

vinyTherm façades have an appearance similar to high quality render made of natural stone. They are optically attractive, harmonious and discreet. **vinyTherm** profiles can be installed equally as easily in a vertical, horizontal or diagonal position. Special colours and profiles with bevel-edge as well as the **vinyTherm** ashlar profiles can be used to create interesting focal points and offer a wide range of possible variations. **vinyTherm** profiles can be combined superbly with other façade systems, particularly with other Vinylit products as **vinyCross** and **vinyFlex**, which can be used to create attractive and low cost façade renovations.

Example: vinyFlex façade



Company headquarters in Burnley, GB



Post office building in Split, HR





vinylTherm façades are available in lots of attractive colours. Request our current colour chart.



High-rise building in Paris, F



Leisure facility in Lacanau, F



Hotel Minol in Budapest, H

The seventh benefit is in the detail



Windows and doors can be enclosed attractively with the vinyCom reveal system

7

Vinylit offers a complete range of accessories for all detail solutions. These include window and door reveals, connecting profiles, profiles for corners as well as for the top and bottom of the façade. All the accessories are designed in such a way that the façade's rear ventilation is maintained at all times.



Window with vinyCom reveal system



Water company building in Linschoten, NL



Vinylit has over 30 years of experience in the production of façade systems. The façade profiles are made of high quality, durable materials using the very latest production processes. Quality assurance is carried out in the form of on-going internal monitoring as well as regular external monitoring by MFPA Leipzig. The **vinylTherm** façade has been approved by the German Institute of Building Technology in Berlin and complies with DIN 4102-B1 and DIN 18516 Part 1. The material is tried and tested throughout Europe and certified amongst others in Great Britain by the BBA; in France by CSTB; in Czech Republic by TZUS; in Poland by ITB; in Hungary by EMI and last but not least in Russia by GOSSTROY.



Concrete renovation in Laren, NL



Ice stadium in Blansko, CZ

The eighth benefits – satisfied tenants and landlords

8

A building that is attractive to look at again after being renovated with **vinyTherm** façades will increase the feeling of satisfaction on both sides.

Tenants are pleased with their “new” home, enjoy more peace and also achieve massive savings on heating costs.

This increases their standard of living and the landlord can benefit from an attractive building that makes finding new tenants easy. Eight good reasons to find out more.

We will be delighted to send you an information folder with our new colour chart and samples on request. Get in touch and ask us for the advice you need.



Residential building in Görlitz, D

vinylit®

A SURTECO COMPANY

Vinylit Fassaden GmbH
Gobietstraße 10
D-34123 Kassel

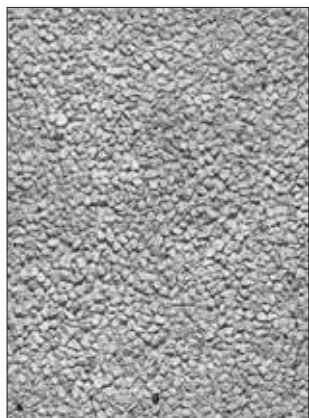
Telefon +49 561/9591-5
Fax +49 561/9591-302
e-mail info@vinylit.de
Internet www.vinylit.com



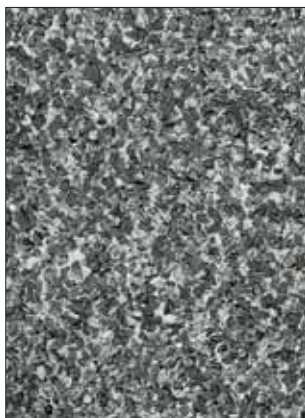
A SURTECO COMPANY

Farben Colours Nuancier

vinylTherm[®]
Design
vinylStone[®]



granit (2) (3)



basalt (2) (3)



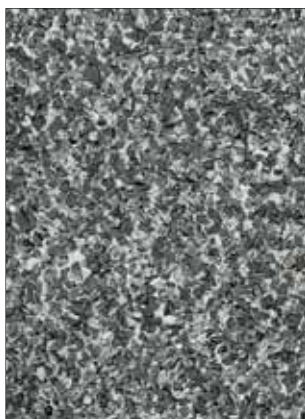
tessin (1) (2) (3)



tundra (2) (3)



granada (4)



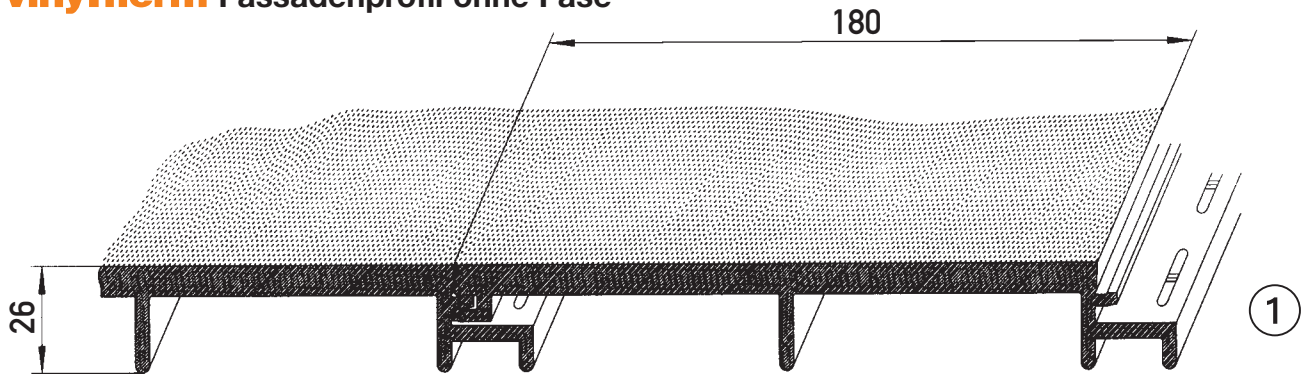
basalt (4)



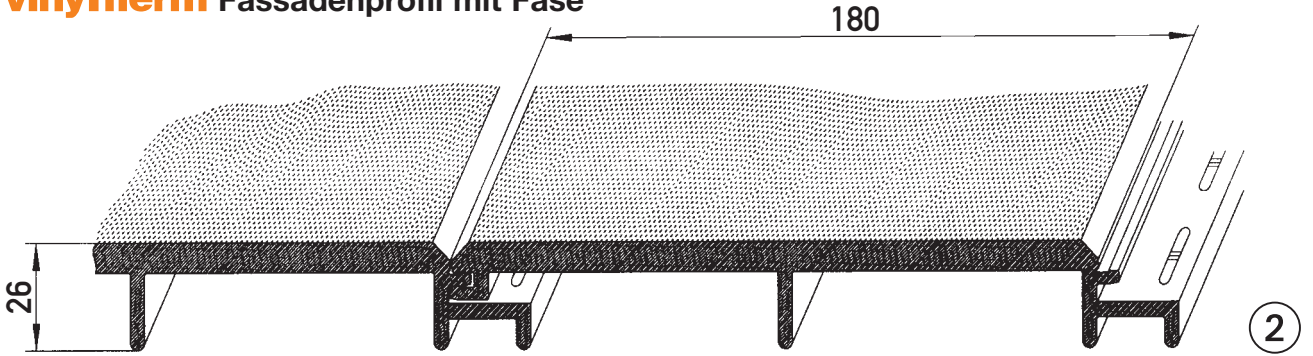
lanzarote (4)

vinylStone[®]
Cross

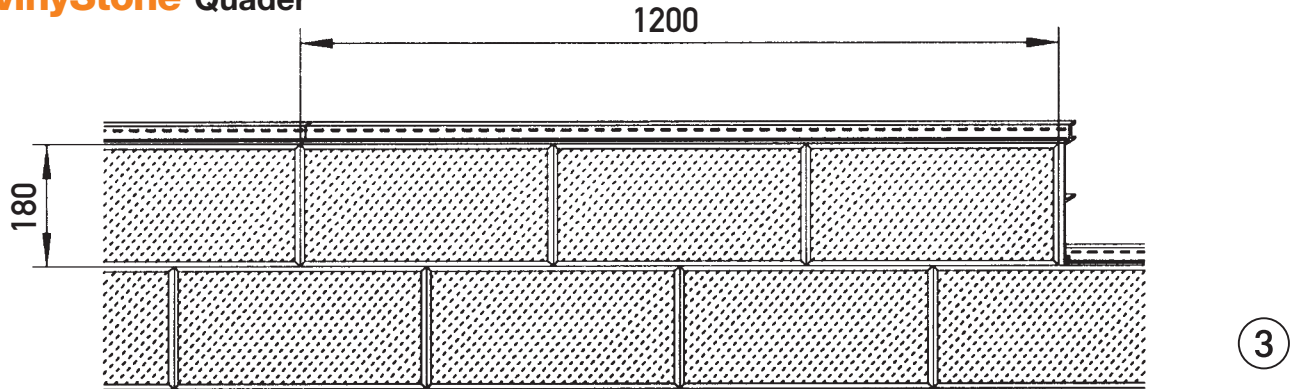
vinylTherm[®] Fassadenprofil ohne Fase



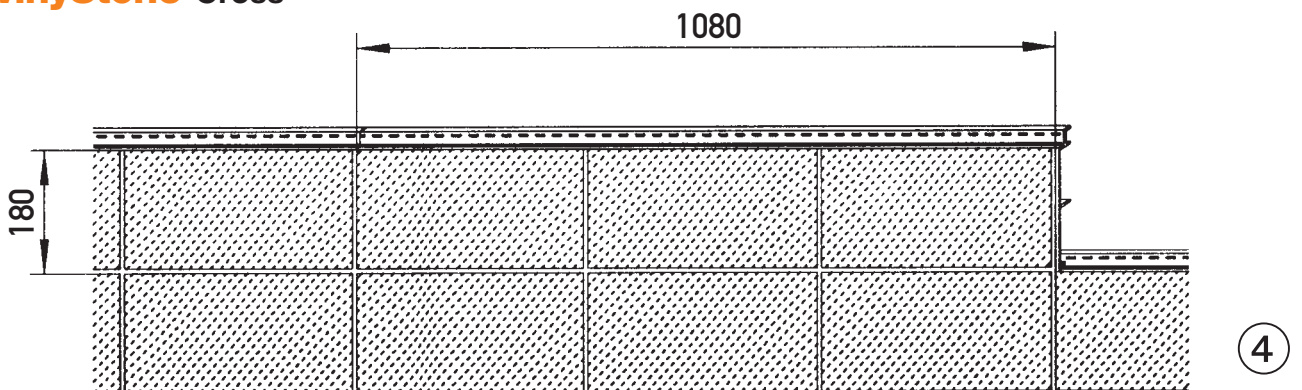
vinylTherm[®] Fassadenprofil mit Fase



vinylStone[®] Quader



vinylStone[®] Cross





Alpin ① ② ③



Dolomit ① ② ③



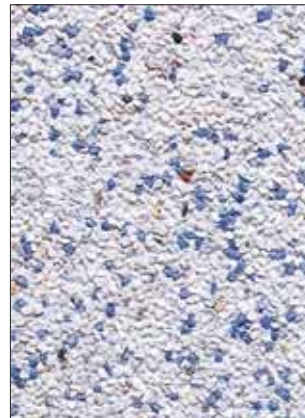
Tirol ① ② ③



Sahara ① ② ③



Helios ① ② ③



Aqua ① ② ③



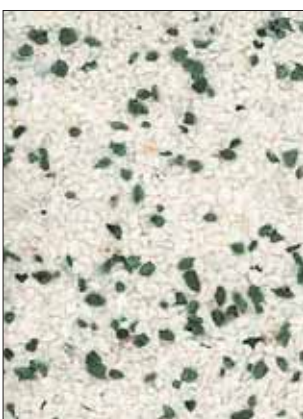
Toscana ① ② ③



Elba ① ② ③



Bordeaux ② ③



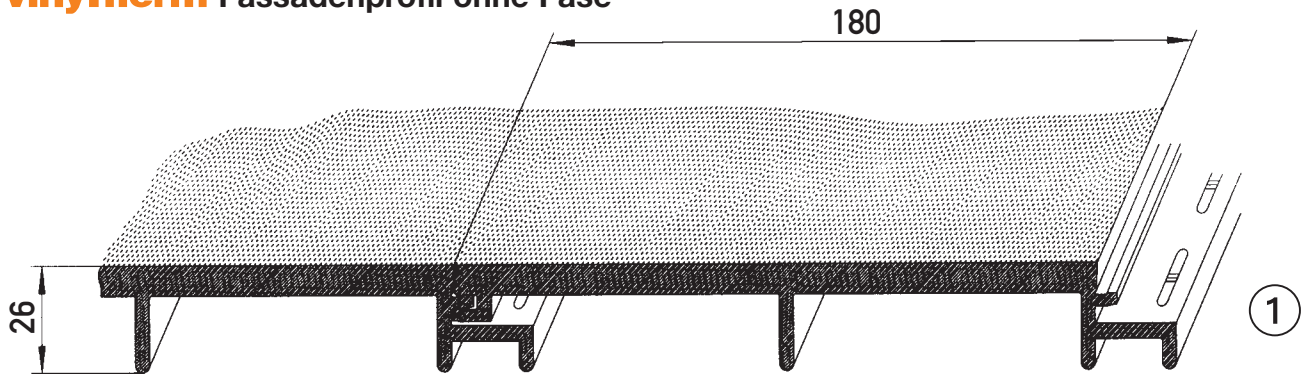
Ravenna ① ② ③



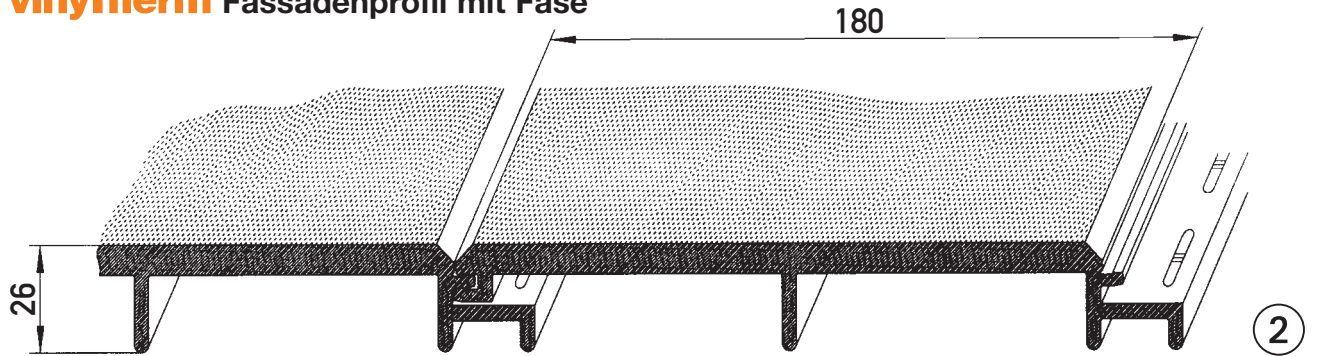
Montana ② ③

Aus drucktechnischen Gründen sind gegenüber dem Original geringe Farbdifferenzen möglich.

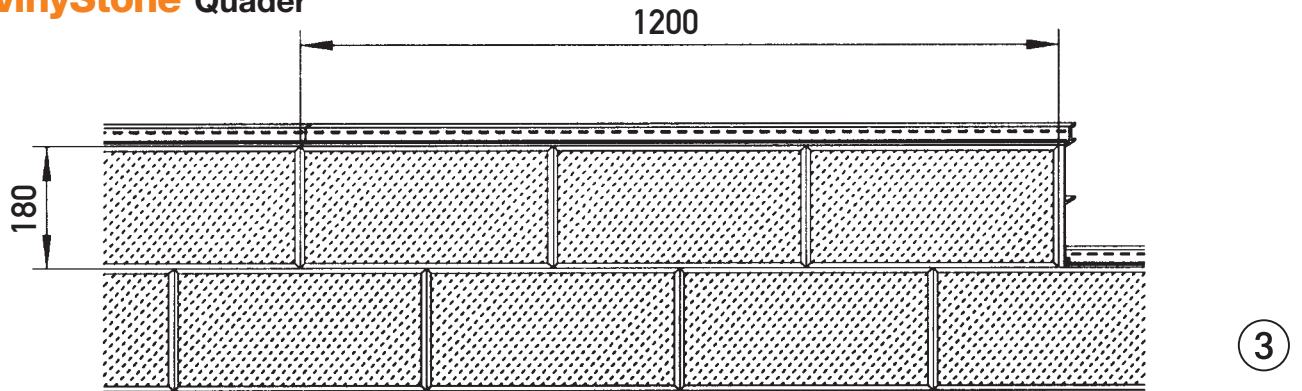
vinylTherm[®] Fassadenprofil ohne Fase



vinylTherm[®] Fassadenprofil mit Fase



vinylStone[®] Quader



vinylStone[®] Cross

